



# ALL-NEW VELOZ

## HAPPINESS INSIDE OUT



ALL-NEW VELOZ  
**PREMIUM  
CROSSOVER**

Discover a new kind of happiness with the spacious 7-seater premium crossover, made versatile to fit your needs.

Actual vehicle may vary from image shown.



EXTERIOR

# **STYLISH & PREMIUM** DESIGN

Be the talk of the town when you cruise the roads in style with the bold and sporty Veloz.

Actual vehicle may vary from image shown.



**Full LED Headlamps**

With Sequential Turn Signals and Daytime Running Lights.



**Full LED Rear Combination Lamps**

Bold and distinct look.



**Outer Mirror Foot Lamp**

Enhances visibility as you approach the car.



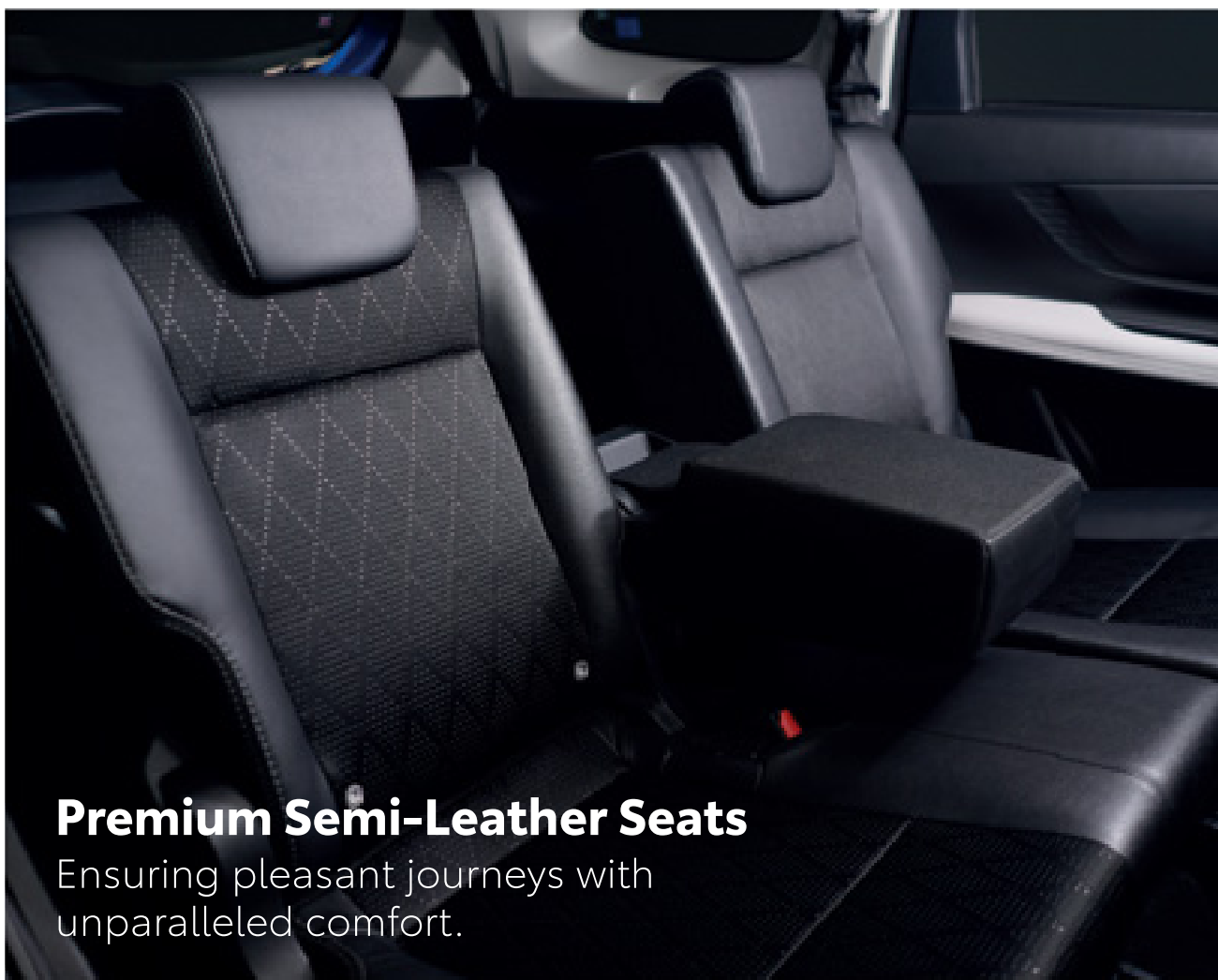
**17" Alloy Rim**

Alloy spokes that exude distinctive character.



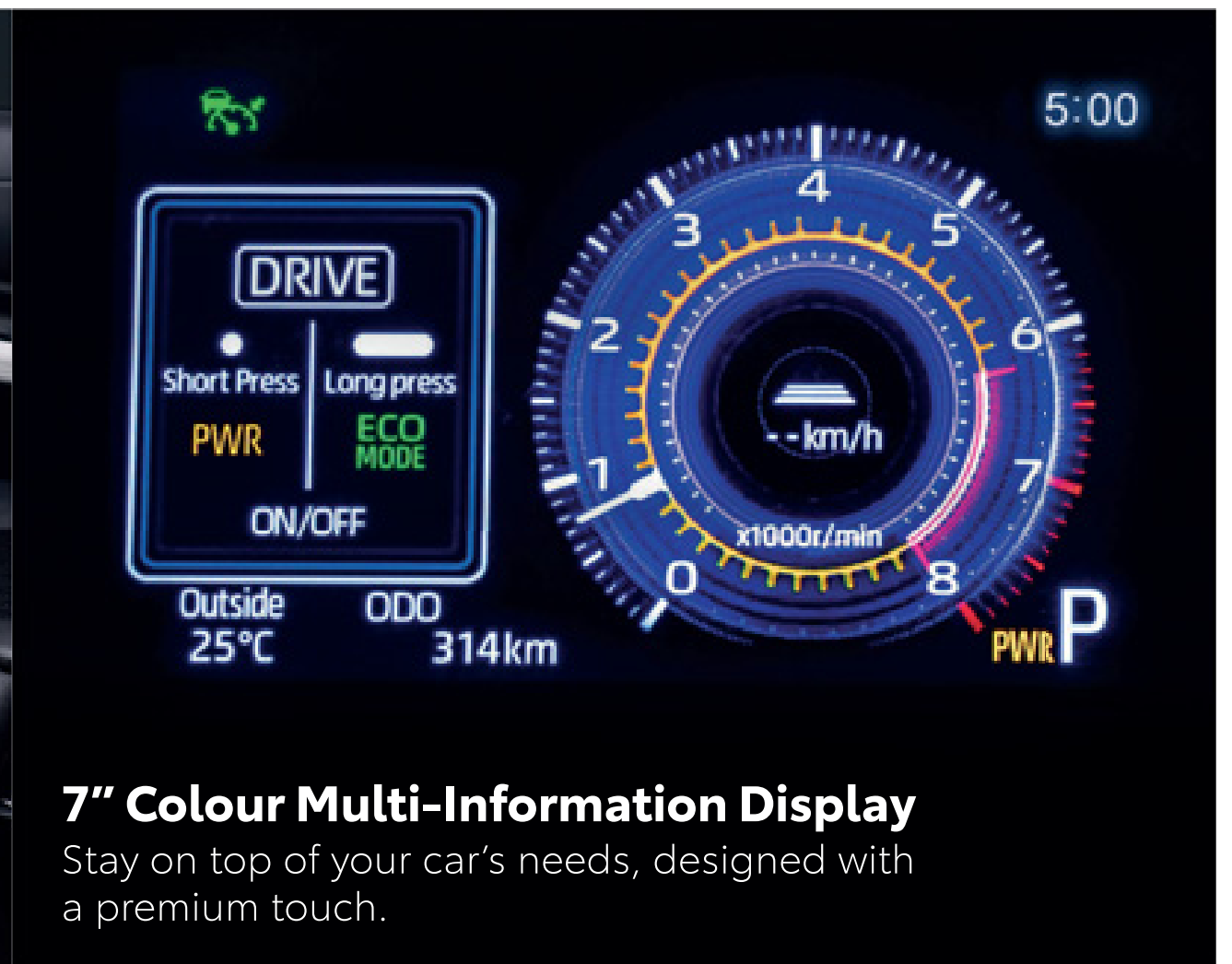
INTERIOR  
**SPACIOUS &  
DYNAMIC DESIGN**

In a Veloz, you can drive in style without compromising comfort.



**Premium Semi-Leather Seats**

Ensuring pleasant journeys with unparalleled comfort.



**7" Colour Multi-Information Display**

Stay on top of your car's needs, designed with a premium touch.



**LED Ambient Light**

Amplify comfort and premium feel.



**Two-Tone Soft Pad Interior**

Elegant finishing that exudes premiumness.



SPACE  
**COMFORTABLE  
& CONVENIENT**

No matter the place, distance or occasion, the Veloz is versatile and well-equipped to suit your needs.



**Foldable Seats for Extra Space**



**Big Luggage Space**



**Roof Rails to Carry Extra Cargo**



**Luggage Tray & Deck Box**

Actual vehicle may vary from image shown.



**7 Seats with Multi-Fold Configurations**



**Spacious and Comfortable Interior**



**Multiple Drink & Bottle Holders**



PERFORMANCE  
**EFFICIENT &  
SMOOTH**

Enjoy a smooth drive every time  
you step inside the Veloz.





# 1.5L VVT-i ENGINE

Equipped with the latest VVT-i technology and paired with the Auto Stop-Start feature, enjoy a seamless driving experience with greater fuel efficiency.

## Newly Developed 7-Speed CVT

Effortless acceleration provides a pleasant shift feel for an enjoyable driving experience.



## Telescopic, EPS, Turning Radius

For excellent steering feel, tight turning radius and quiet operation with enhanced comfort.



## Electronic Brake Hold & Brake Parking Function

Eases operation during parking and driving in traffic jams.



## Drive Mode (PWR/ECO)

Switch your driving mode with ease.



Toyota  
Safety  
Sense

# TOYOTA SAFETY SENSE

Packed with active safety features, Toyota Safety Sense (TSS) is designed to help protect you and your passengers, and comes standard with many new Toyotas.



## Pre-Collision System (PCS)

Alerts driver of potential frontal collision and mitigates effects of a crash.



## Lane Departure Warning (LDW)

Alerts you in case of unintended lane departure. Applies corrective steering if needed.



## Front Departure Alert (FDA)

Audible and visual alert notifies driver if they do not notice the car in front has started to move.



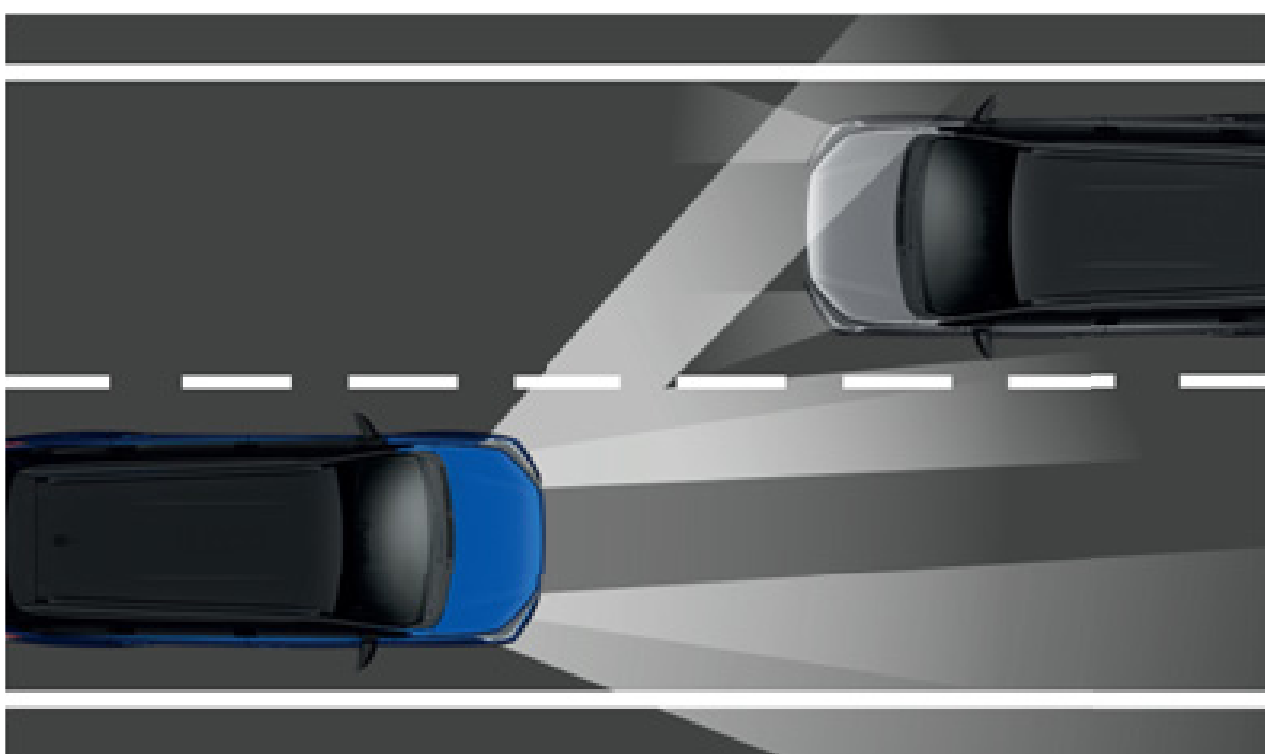
## Pedal Misoperation Control

Designed to help avoid or mitigate damage from a forward collision.



## Adaptive Cruise Control (ACC)

Follows the preceding vehicle at a safe distance with its on-board stereo camera.



## Adaptive Driving Beam (ADB)

Automatically adjusts the headlamp light distribution to not dazzle preceding and oncoming vehicles.

Actual vehicle may vary from image shown.

# 360-T ADVANCED

## **SAFE-T** Trust for smoother journeys ahead



### **Blind Spot Monitor (BSM)**

Detects vehicles that may not be visible to the driver when changing lanes or reversing.



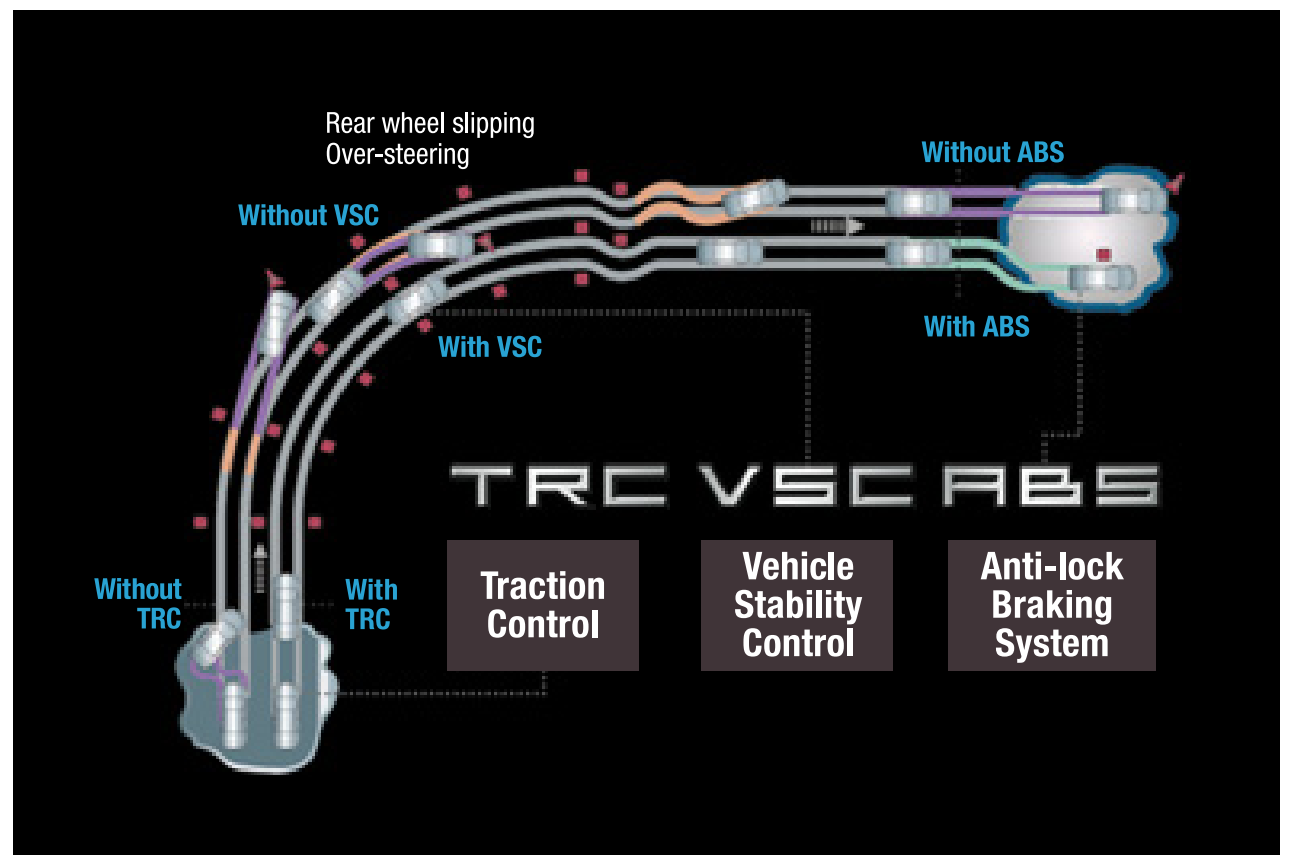
### **Rear Cross Traffic Alert (RCTA)**

Assists the driver when in reverse.



### **3D Panoramic View Monitor (PVM)**

Easily maneuver your vehicle in tight spaces.



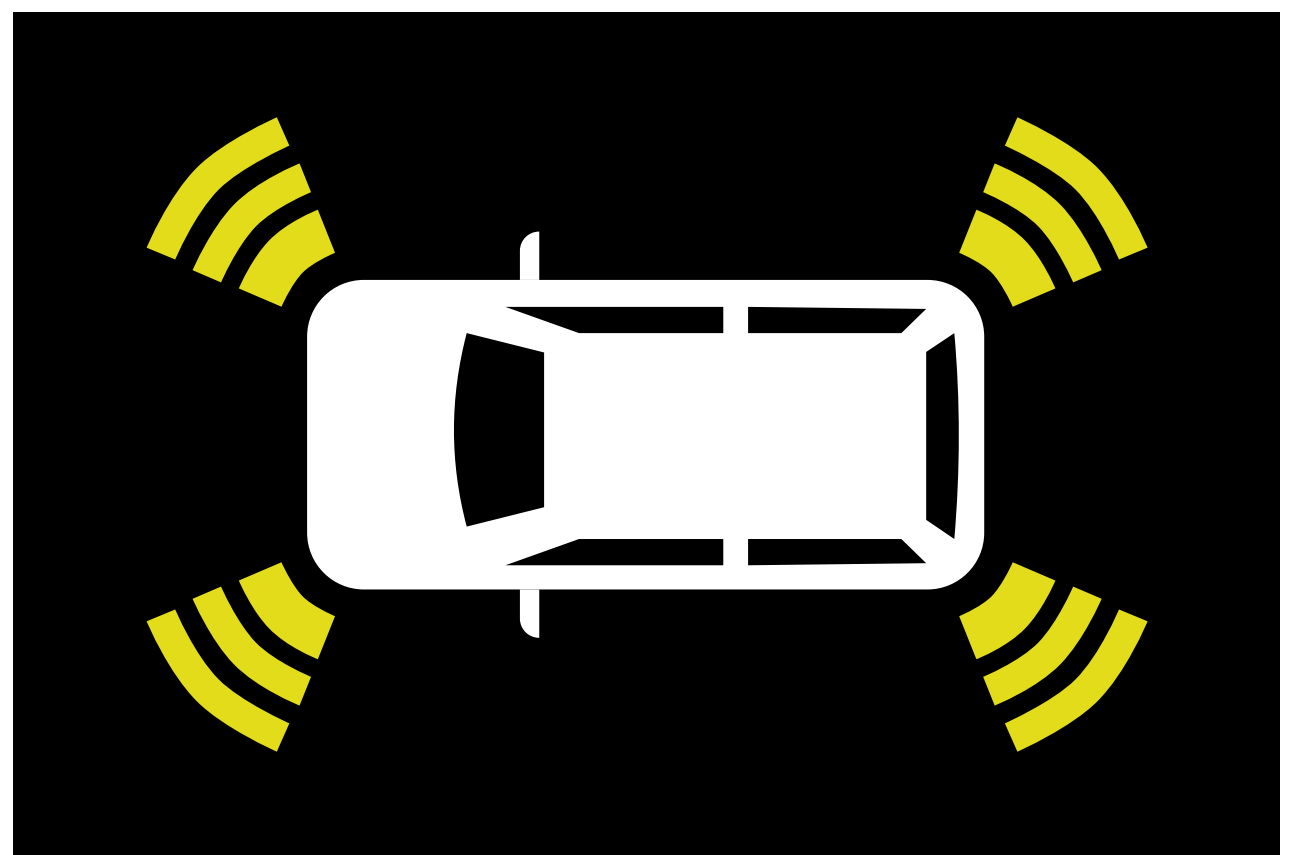
### **Vehicle Stability Control (VSC) with Traction Control (TRC)**

Be in control on slippery surfaces with improved traction, as well as better stability when turning on a curve.



### **Security Solar Tint**

Helps impede glass break-ins, reflect harmful rays and reduce heat build-up.



### **Front & Rear Sonar Sensor**

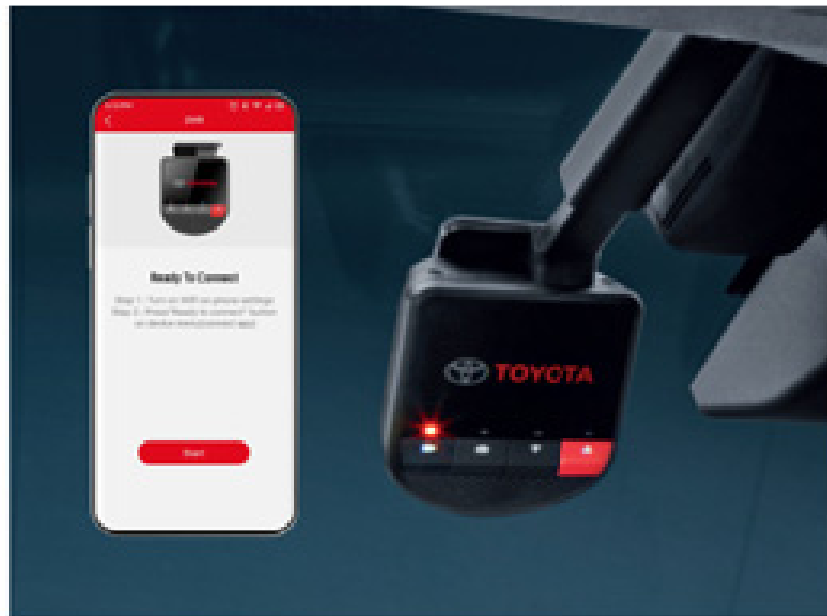
Alerts driver when the vehicle is in close proximity of an object/vehicle.

# 360-T ADVANCED **CONNECTIVI-T** Technology at your command



## 6 SRS Airbags

Strategically placed for protection during collision.



## Front & Rear Digital Video Recorder (DVR)\*

Convenient access and monitoring via Toyota DVR app.

*\*Rear DVR is an optional accessory.*



## Hill-Start Assist Control (HAC)

Prevents vehicle from sliding backwards when on an incline.



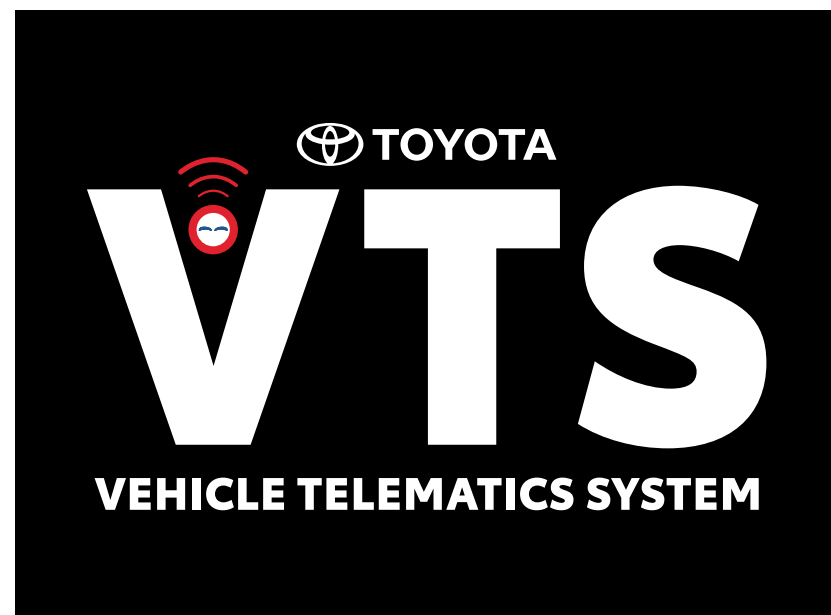
## USB Charger & Accessory Socket

Multiple USB charging ports and 12V accessory outlets.



## Wireless Charger

Charge your devices on-the-go. Compatible with all Qi-enabled devices.



## Vehicle Telematics System (VTS)

An integrated system that monitors your vehicle's real-time location through an app.



## 9" Display Audio with Apple CarPlay & Android Auto™ Wireless Connectivity\*

Navigate and play your favourite tunes with ease through wireless connection.

*Apple CarPlay is a trademark of Apple Inc.*

*Android Auto is a trademark of Google LLC.*

*To use Android Auto on our car display, you'll need an Android phone running Android 6 or higher, an active plan, and the Android Auto app.*

*\*Android Auto™ will be available when the service is officially launched in Malaysia.*

# 360-T ADVANCED **WARRAN-T** For a total peace of mind



5 years warranty from the date of first registration with **unlimited** mileage.



# THE **NEXT LEVEL** DRIVE

Elevate the style of your Toyota Veloz with the new addition of bodykit accessories.

Optional accessories included\*  
Actual vehicle may vary from image shown.



## OPTIONAL ACCESSORIES



### Front Bumper Spoiler

Exudes a bolder and aggressive look to amplify presence, commanding attention on the road.



### Side Door Cladding

Brings a sportier, robust touch to the car's profile for a more distinctive look.



### Roof Spoiler

Adds a visually dynamic effect to enhance the car's sleek and stylish appearance.



### Rear Bumper Spoiler

Creates a refined and streamlined appearance, making a striking statement.

Actual vehicle may vary from image shown.

# COLOUR VARIANT



Blue Metallic with Black Roof (XL3)



Silver Metallic with Black Roof (XL2)



Metallic Bluish Black (X16)



Red Metallic (R67)



White (W09)

# SPECIFICATIONS

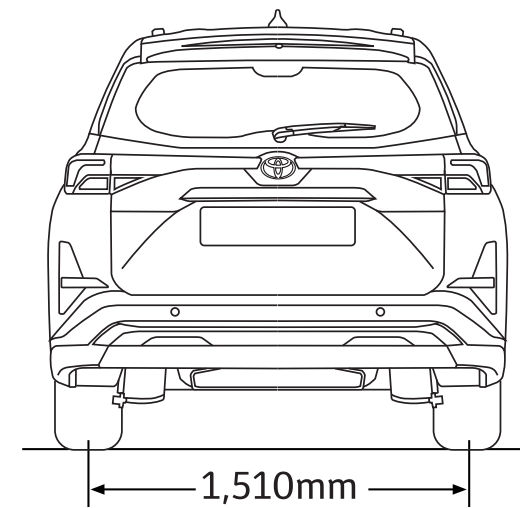
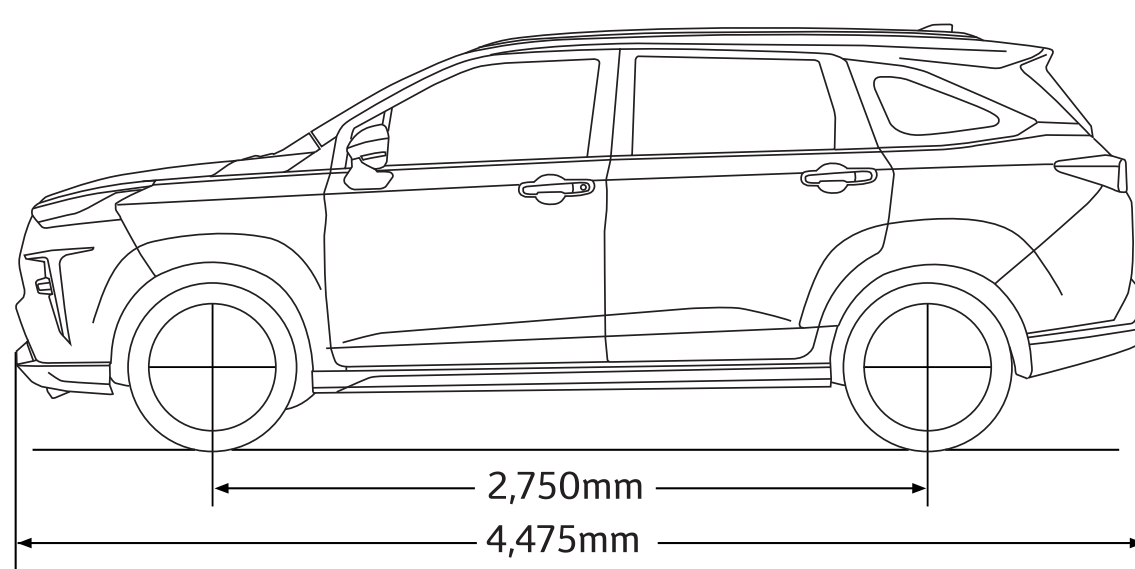
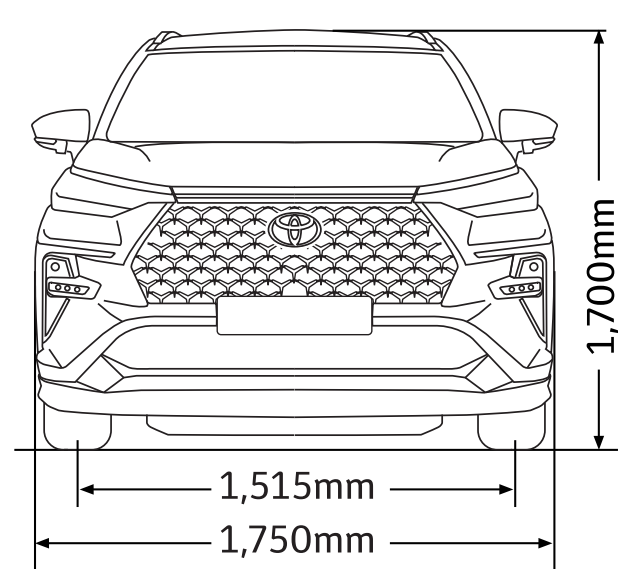
| VARIANT                              | 1.5L AT  |  |                       |
|--------------------------------------|--|--|-----------------------|
| <b>ENGINE</b>                        |  |  |                       |
| Model                                | 2NR-VE   |  |                       |
| Type                                 | 4-cylinder, In-line, 16-valve DOHC with Dual-VVT-i |  |                       |
| Displacement                         | cc   | 1,496  |                       |
| Bore x Stroke                        | mm   | 72.5 x 90.6  |                       |
| Max. Output                          | kW (PS) / rpm                                      |  | 78 (106) / 6000       |
| Max. Torque                          | Nm (kg-m) / rpm                                    |  | 138 (14) / 4200       |
| <b>TRANSMISSION</b>                  |  |  |                       |
| Type                                 | 7-speed CVT  |  |                       |
| <b>CHASSIS</b>                       |  |  |                       |
| Suspension                           | Front / Rear                                       | Macpherson Strut with Stabiliser / Torsion-Beam with Stabiliser  |                       |
| Brakes                               | Front / Rear                                       | Disc / Disc  |                       |
| Tyres & Rims & Spare Tyre            | 205/50 R17, Alloy                                  |  |                       |
| <b>DIMENSIONS</b>                    |  |  |                       |
| Overall                              | Length / Width / Height                            | mm   | 4,475 / 1,750 / 1,700 |
| Wheelbase                            |  | mm   | 2,750                 |
| Kerb Weight                          |  | kg   | 1,185                 |
| Fuel Tank Capacity                   |  | litre  | 43                    |
| Minimum Turning Radius               |  | m  | 5.0                   |
| <b>EXTERIOR</b>                      |  |  |                       |
| Headlamps                            | Type   | LED  |                       |
|                                      | Levelling  | Auto   |                       |
|                                      | Additional Feature(s)                              | Sequential Turn Signal, Follow-me-home & Leaving Home  |                       |
| Rear Tail Lamps                      |  | LED  |                       |
| Fog Lamps                            |  | Daytime Running Lights (DRL)   |                       |
| Radiator Grille                      |  | Trapezoid Grille with Glossy Finish  |                       |
| Moulding / Beltline                  |  | Chrome   |                       |
| Wing Mirrors                         |  | Auto retractable, Signal Lamps, BSM indicators & Foot Lamp   |                       |
| Wipers                               | Front / Rear                                       | with Speed Linked Intermittent function / with Reverse Linked function   |                       |
| Antenna                              |  | Shark Fin  |                       |
| Roof Rail & Door Visors              |  | With   |                       |
| <b>INTERIOR</b>                      |  |  |                       |
| Smart Entry and Start System         |  | With   |                       |
| Drive Mode Switch                    |  | Power, Eco & Normal mode   |                       |
| Meter Combination                    |  | Segment Negative LCD & Digital Speedometer   |                       |
| Multi-Information Display (MID)      |  | 7" Colour TFT Display  |                       |
| Air Conditioning                     | Front / Rear                                       | Automatic / With   |                       |
| Steering Wheel                       | Type   | 3-spoke Leather with Tilt & Telescopic Adjustable  |                       |
|                                      | Control Switches                                   | Audio, Meter, Talk, Telephone, Adaptive Cruise Control, LKC, Drive mode  |                       |
| Gear Shift Lever                     |  | Leather  |                       |
| Power Windows                        |  | Front and Rear with Auto Up / Down & Jam Protection (Driver Only)  |                       |
| Audio                                | Type   | Display Audio with 9" Capacitive Touch Screen, Wired / Wireless Apple CarPlay & Android Auto™-ready Connectivity, USB & Bluetooth® |                       |
|                                      | Speakers   | Speakers x4 + Tweeters x2  |                       |
| Interior Colour & Trim               |  | 2-Tone with soft pad interior panels   |                       |
| Door Grip                            |  | 2  |                       |
| Seats                                | Material / Colour                                  | Black Semi-Leather   |                       |
|                                      | Driver & Front Passenger Seat                      | Manual Adjust, Back Mini & Large Pockets   |                       |
|                                      | Rear Seat (2nd Row)                                | 6:4 Tumble Slide, Foldable Armrest   |                       |
|                                      | Rear Seat (3rd Row)                                | 5:5 Tilt Down  |                       |
| Inside Rear View Mirror              |  | With   |                       |
| Sun Shades                           |  | With Mirror & Ticket Holder (Driver), With Mirror (Passenger)  |                       |
| USB Charging Ports                   |  | Front x1, Rear x2  |                       |
| Accessory Socket                     |  | Centre Console x1, Rear Deck x1  |                       |
| Cup/Bottle Holders                   |  | 15   |                       |
| Wireless Charger                     |  | With   |                       |
| Illuminated Entry System             |  | With (Push Start & Room)   |                       |
| Interior Ambient Lighting            |  | With (Centre Console & Door Trims)   |                       |
| Lamps                                |  | With (Map, Dome, Luggage Compartment)  |                       |
| Outer Mirror Foot Lamp               |  | With   |                       |
| 3D Panoramic View Monitor (PVM)      |  | With   |                       |
| Digital Video Recorder (DVR) - Front |  | With   |                       |
| Portable Tyre Pump                   |  | With   |                       |



# SPECIFICATIONS

| VARIANT   | 1.5L AT  |  |
|---|--|--|
| <b>SAFETY</b>   |  |  |
| <b>ACTIVE</b>   |  |  |
| Toyota Safety Sense   | Pre-Collision Warning (PCW)                          | With   |
|   | Pre-Collision Braking (PCB)                          | With   |
|   | Pre-Collision Braking Assist (PCBA)                  | With   |
|   | Adaptive Cruise Control (ACC) with Full Speed Range  | With   |
|   | Lane Departure Warning (LDW)                         | With   |
|   | Lane Departure Prevention (LDP) with Steering Assist | With   |
|   | Lane Keeping Control (LKC)                           | With   |
|   | Front Departure Alert                                | With   |
|   | Adaptive Driving Beam (ADB)                          | With   |
| Surrounding Monitoring System                                 | Blind Spot Monitor (BSM)                             | With   |
|   | Rear Cross Traffic Alert (RCTA)                      | With   |
| Parking Assist  | Pedal Misoperation Control (Front)                   | With   |
|   | Parking Sensors                                      | With (Front x2 & Rear x2)  |
| Vehicle Stability Control (VSC) & Traction Control (TRC)      |  | With   |
| Anti-lock Braking System (ABS)                                |  | With Electronic Brake-force Distribution (EBD) & Brake Assist (BA) |
| Hill-Start Assist Control (HAC) & Emergency Stop Signal (ESS) |  | With   |
| Parking Brake   |  | Electric Parking Brake (EPB)                                       |
| Auto Brake Hold   |  | With   |
| <b>PASSIVE</b>  |  |  |
| SRS Airbags   |  | 6 Airbags (Driver, Front Passenger, Side & Curtain)                |
| Seat Belts  | Front  | 3-Point ELR x 2 with Pretensioner and Force Limiter                |
|   | Rear 2nd-Row   | 3-Point ELR x3   |
|   | Rear 3rd-Row   | 3-Point ELR x2   |
| Seat Belt Warning   |  | All seats  |
| ISOFIX  |  | With (Rear x2)   |
| <b>SECURITY</b>   |  |  |
| Alarm System  |  | With Immobilizer, Indicator & Alarm                                |
| Vehicle Telematics System (VTS)                               |  | With   |
| Security & Solar Film   |  | With   |
| <b>OPTIONAL</b>   |  |  |
| Bodykit   | Front Bumper Spoiler                                 | Optional   |
|   | Side Door Cladding                                   |  |
|   | Rear Bumper Spoiler                                  |  |
|   | Roof Spoiler   |  |
| Digital Video Recorder (DVR) - Rear                           |  | Optional   |

\*Functions availability may vary depending on smartphones. For details, please contact your nearest Toyota showroom.



- UMW Toyota Motor reserves the right to alter any details of specifications and equipment without notice.
- Details of specifications and equipment are also subject to change to suit local conditions and requirements.
- Vehicle and specifications in this catalogue may vary from models available locally. Vehicle body and accessory colours might differ slightly from the printed photos in this catalogue.
- All images are used for illustrative purposes.



5 years warranty from the date of first registration with unlimited mileage. Terms and Conditions apply.



The Veloz has been awarded a 5-star ASEAN NCAP safety rating.



Energy Efficient Vehicle



For Your Auto-Financing Needs

