

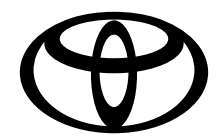
PLEASE
ROTATE
YOUR
PHONE



TOYOTA

Move your world

PRESENTING THE NEW
ALPHARD & VELLFIRE



TOYOTA

Move your world



EXPECT THE BEST.
EXPERIENCE BETTER.

True luxury is experienced, never spoken.

The new Toyota Alphard and Vellfire embody resolute perfection and are designed to imbue your every journey with unprecedented levels of refinement.

Actual vehicle may vary from image shown.

THE NEW ALPHARD.

Exterior	05
Interior	08
Performance	12
Colour	13
Specifications	14

THE NEW VELLFIRE.

Exterior	16
Interior	18
Performance	20
Colour	21
Specifications	22

TOYOTA SAFETY SENSE.	24
---------------------------	----



EXTERIOR

THE NEW TOYOTA ALPHARD.

The Alphard's unmistakable presence lies within its craftsmanship. Its distinctive front grille with chrome finishings has an instantly recognisable design, framed by full LED headlamps with sequential signal lamps, daytime running lamps (DRL) and cornering lamps for enhanced road visibility.

Actual vehicle may vary from image shown.

THE NEW ALPHARD.

06

EXTERIOR

THE ART OF UNDERSTATED LUXURY.

The Alphard's iconic silhouette is a vision of sophisticated beauty, with sleek lines and sculpted contours that captivate the eye. Step into a world of refinement through the quiet sliding doors at a simple press of a button.



Actual vehicle may vary from image shown.

EXTERIOR
EFFORTLESSLY POISED.
EXQUISITELY DESIGNED.

A blend of elegance and performance, from its build right to the rims. The 19" alloy wheels provide a smooth ride and stunning visual appeal while the powered back door switch located at the rear lights grants you convenient access for easy storage.



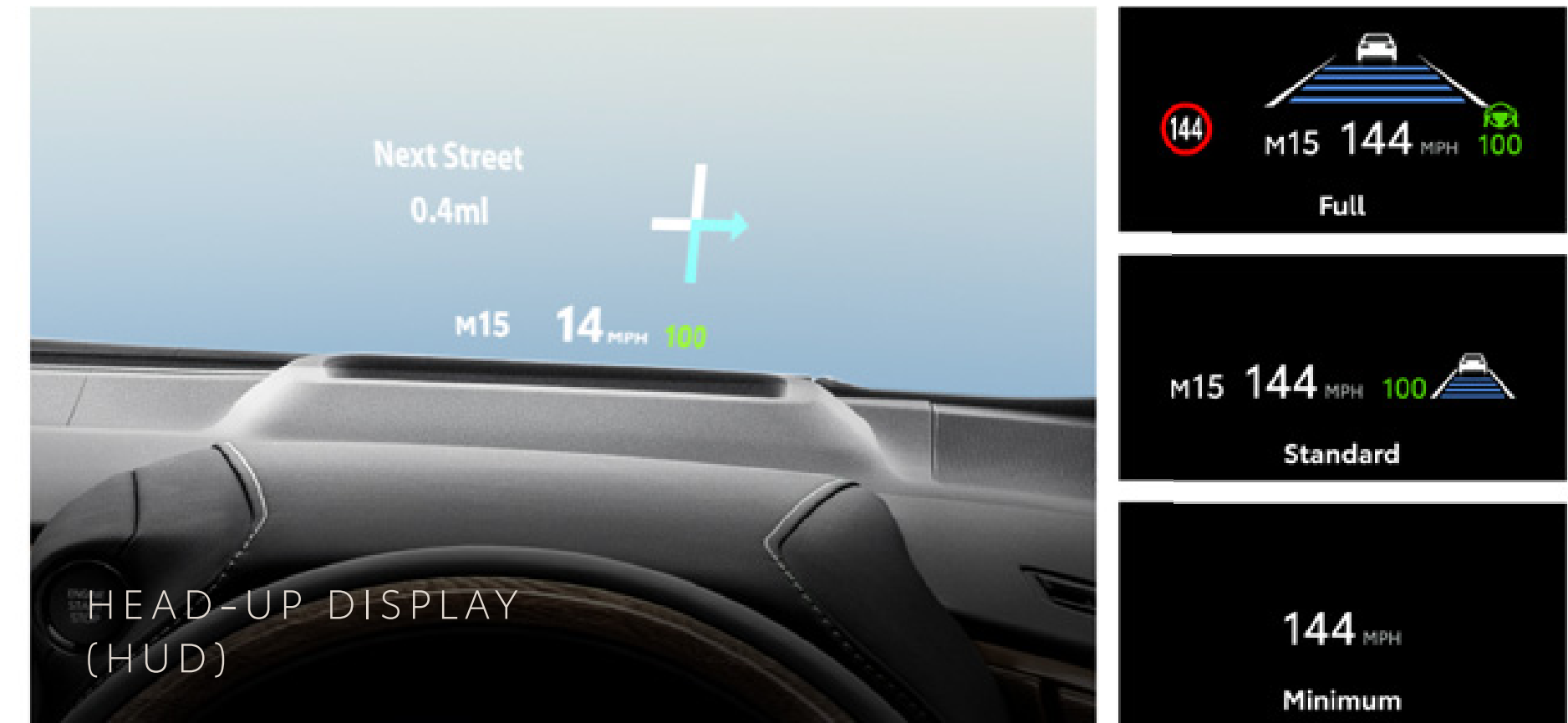
Actual vehicle may vary from image shown.

INTERIOR PRESTIGE OF PURE CONTROL.

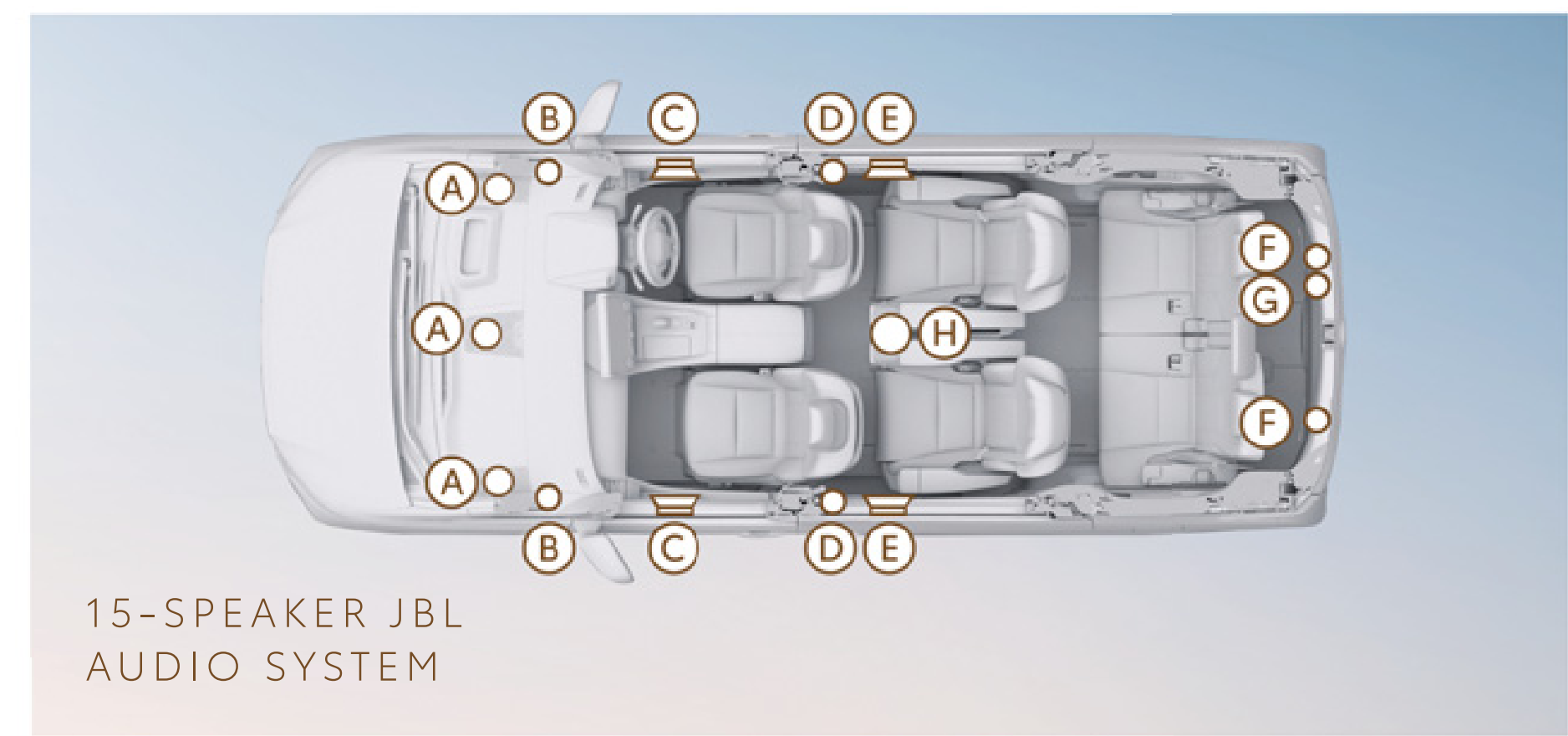
Be in full command of your domain, designed to make driving intuitive with every control positioned within easy reach. The new head-up display (HUD) projects essential information directly in your line of sight while the 14" display audio with navigation and 15-speaker JBL audio system redefines seamless navigation and in-car entertainment, bringing your drive to new heights.



Actual vehicle may vary from image shown.



HEAD-UP DISPLAY (HUD)



15-SPEAKER JBL AUDIO SYSTEM

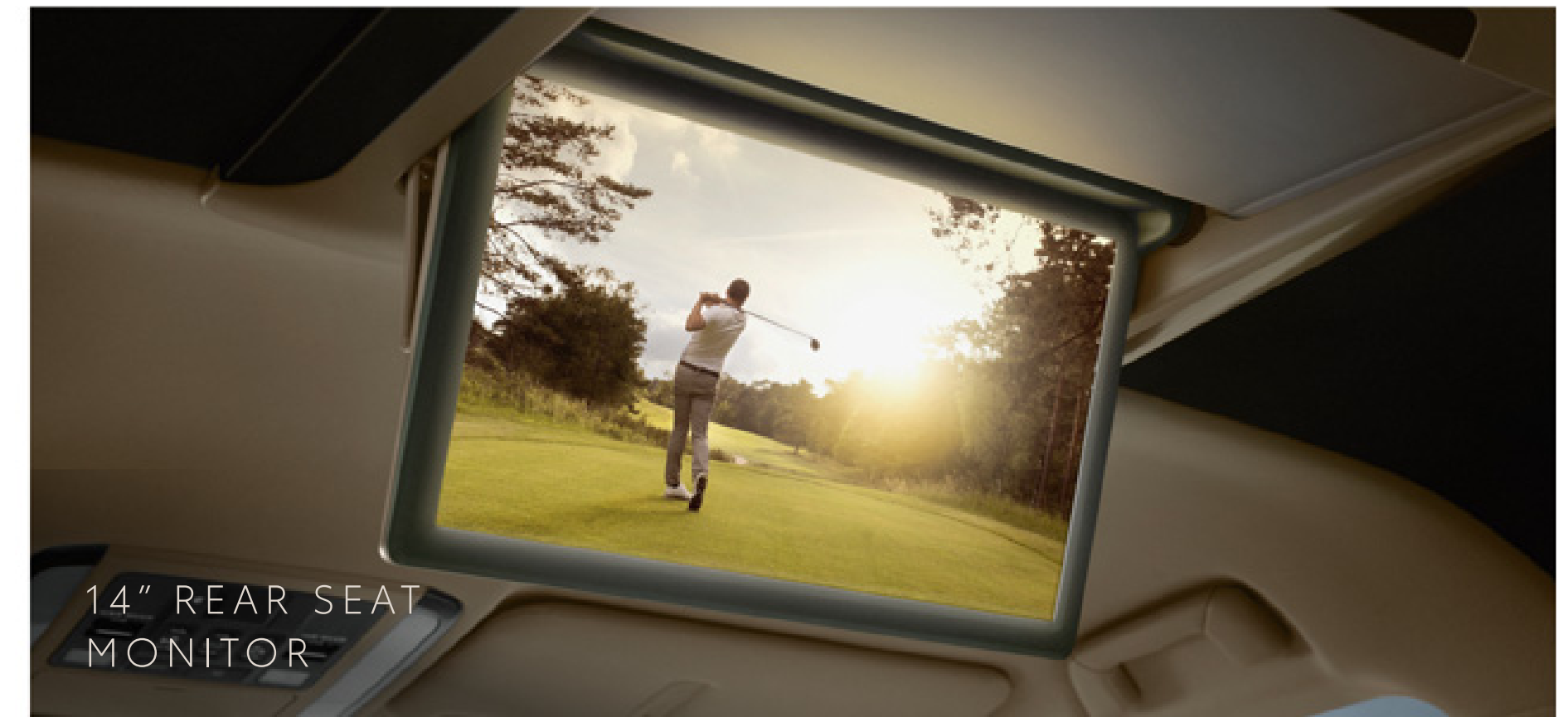
INTERIOR A SILENT RETREAT.

Experience the luxury of absolute privacy within the secluded sanctuary of the Alphard, from modern Nappa leather and woodgrain furnishings and a 14" rear seat monitor display, to sophisticated 64-colour roof illumination.

Bathe in natural light streaming through the fixed panoramic glass roof and enjoy the thoughtful convenience of powered window sunshades. Within the Alphard, you will discover a tranquil haven that is yours alone.



Actual vehicle may vary from image shown.



14" REAR SEAT
MONITOR



POWERED WINDOW
SUNSHADES

INTERIOR DESIRE FOR ELEGANCE.

Every material and detail testifies to the highest of quality. Indulge in premium Nappa genuine leather seats that come with massage, seat heater and ventilation functions, and equipped with an anti-vibration structure in the cushion frame to enhance passenger comfort.

Actual vehicle may vary from image shown.

INTERIOR PERFECTION IN EVERY INTRICACY.

Whether for work or leisure, the retractable rotary table equipped at the second row seats provides a platform for all your needs. Elevate your experience and adjust settings to your own preference with the remote control on the outer seat compartment, using its sleek digital interface with ease.



Actual vehicle may vary from image shown.



REMOTE
CONTROLLERS

PERFORMANCE

MASTERFULLY PERFORMING.

From sheer comfort to precise control, the Alphard excels at delivering seamless performance for the most enjoyable rides.



2.4L TURBOCHARGER ENGINE
16-valve DOHC with Turbocharger, intercooler and 278PS & 430Nm of Torque.

Actual vehicle may vary from image shown.



DIRECT SHIFT 8-SPEED AUTOMATIC WITH SEQUENTIAL & PADDLE SHIFTERS
Excellent transmission efficiency and power performance for smooth acceleration, serving to improve drivability, quietness and fuel efficiency.



NEW TNGA PLATFORM
The adoption of Toyota New Global Architecture improving rigidity over previous generation models for more outstanding manoeuvrability and stability.

THE NEW ALPHARD.

COLOUR
ALPHARD
COLOUR OPTIONS.



089 PLATINUM WHITE PEARL MC



1L5 PRECIOUS METAL



202 BLACK



4Y7 PRECIOUS LEO-BLOND

Actual vehicle may vary from image shown.

SPECIFICATIONS.

VARIANT			Alphard 2.4T Executive Lounge
ENGINE			
Model			T24A-FTS
Type			In-line 4, 16-valve DOHC, Turbocharger and Intercooler with Dual VVT-i
Displacement	cc		2,393
Max. Output	kW (PS) / rpm		205 (278) / 6,000
Max. Torque	Nm / rpm		430 / 1,700 - 3,600
Top Speed	km / h		180
Fuel Economy	Litre / 100km		9.0
TRANSMISSION			
Type			Direct Shift 8-speed Automatic with Sequential Shiftmatic
CHASSIS			
Suspension	Front / Rear		MacPherson Strut with Stabiliser / Double Wishbone with Stabilizer
Brakes	Front / Rear		Ventilated Disc / Ventilated Disc
Tyres & Rims			225 / 55 R19, Alloy
Spare Tyre			Temporary Tyre (T165 / 80 D17)
Steering			Electric Power Steering
DIMENSIONS & WEIGHT			
Overall	Length	mm	5,010
	Width	mm	1,850
	Height	mm	1,950
	Wheelbase	mm	3,000
Kerb Weight		kg	2,235
Gross Vehicle Weight		kg	2,760
Ground Clearance		mm	158
Fuel Tank Capacity		Litre / 100km	75
Min. Turning Radius		m	5.9

VARIANT			Alphard 2.4T Executive Lounge
EXTERIOR			
Headlamps			Tri-LED Headlamps with Sequential Signal Lamp, Cornering Lamps and Daytime Running Lights
Sequential Turn Signal Lamps			With Front & Rear
LED Fog Lamps			With Front & Rear
Rear Combination Lamp			With LED
Outside Rear View Mirror			Auto Power Foldable, Memory, Blind Spot Monitoring, Heater and Signal Lamp
Fixed Panoramic Glass Roof			With
Front Windshield Wiper			Auto with Rain Sensor
INTERIOR			
Auto Stop & Start System			With
Drive Mode			With ECO Drive Mode
Steering	Type		Leather & Wood Grain with Heater
	Tilt and Telescopic Adjustable		Power Adjustable with Position Memory Function
	Switches		Electrostatic Switches
	Paddle Shift		With
Head Up Display (HUD)			With
Multi Information Display (MID)			12.3-inch Full Color TFT
Audio System	Type		14" Display Audio with Navigation, Apple CarPlay® & Android Auto™ Connectivity
	Speaker		15 JBL Speakers System
Wireless Charger			With
Ceiling Illumination			64-Color Roof Illumination
Smart Entry and Start System			With
Inside Rear View Mirror			Digital Inner Mirror
Roof & Window Sunshades			With Power Adjustable
Panoramic View Monitor (PVM)			With
Digital Video Recorder (DVR)			With Front & Rear

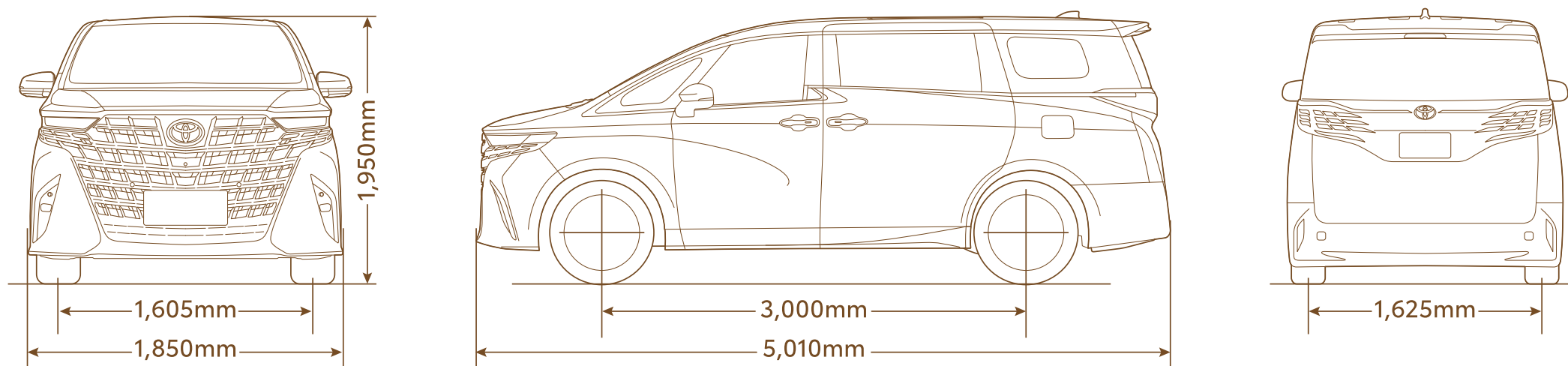
SPECIFICATIONS.

VARIANT		Alphard 2.4T Executive Lounge	
INTERIOR			
Power Sliding Door		With Quiet Sliding Door	
Air-conditioning		Front and Rear: Auto with Both Nanoe™ X	
Seats	Material	Premium Nappa Leather	
	Front Seats	Driver	8 Way-Powered Seat with Memory Function
		Passenger	4 Way-Powered Seat
	Rear 1st Row	Seat Heater	With
		Seat Ventilation	With
		Seats	Executive Lounge VIP Seat
		Rear Remote Control	With Multi Operation Panel
		Seat Adjuster	Relax Power Recline
		Armrest	With VIP Large Type
		Walk-in System	With Power
		Seat Massage	With
	Rear 2nd Row	Seat Table	With Rotary Table & Vanity Mirror
		Seat Heater	With Armrest & Ottoman
		Seat Ventilation	With
		Ottoman	With
		50:50 Split with Space Up	
Rear Seat Entertainment		14-inch Rear Seat Display	
USB Type-C Ports	Front	2	
	Console Box	1	
	Rear 1st Row Seat	2	
	Rear 2nd Row	2	

VARIANT		Alphard 2.4T Executive Lounge	
SAFETY			
Toyota Safety Sense	Pre-collision System (PCS)	With	
	Lane Departure Alert (LDA)	With	
	Dynamic Radar Cruise Control (DRCC)	With Lane Tracing Assist (LTA)	
	Road Sign Assist (RSA)	With	
	Adaptive High-beam System (AHS)	With	
	Anti-lock Braking System (ABS), Vehicle Stability Control (VSC), Electric Parking Brake (EPB) with Brake Hold, Hill-start Assist Control (HAC)		With
	Electronic Brake-force Distribution (EBD)		With
Blind Spot Monitor (BSM) with Rear Cross Traffic Alert (RCTA)		With	
Parking Support Brake (PKSB)		With	
Parking Sensors		With 4 Front and 4 Rear	
Tyre Pressure Monitoring System (TPMS)		With	
SRS Airbags		6	
Seatbelts	Front	3-point ELR x 2 with Pretensioner & Force Limiter	
	Rear 1st Row	3-point ELR x 2 with Force Limiter	
	Rear 2nd Row	3-point ELR x 3	
ISOFIX		With	
SECURITY			
Security System		Immobiliser & Alarm	
Toyota Premium Security & Solar Film		With	
Vehicle Telematics System (VTS)		With	

*Functions availability may vary depending on smartphones. For details, please contact your nearest Toyota showroom.

- UMW Toyota Motor reserves the right to alter any details of specifications and equipment without notice.
- Details of specifications and equipment are also subject to change to suit local conditions and requirements.
- Vehicle and specifications in this catalogue may vary from models available locally. Vehicle body and accessory colours might differ slightly from the printed photos in this catalogue.
- All images are used for illustrative purposes.



Diagrams shown are for illustration purposes only.



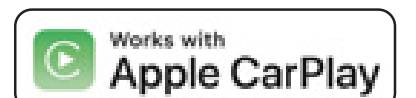
5 years warranty from the date of first registration with unlimited mileage. Terms and Conditions apply.



Energy Efficient Vehicle



For Your Auto-Financing Needs





EXTERIOR

THE NEW TOYOTA VELLFIRE.

Look into the face of bold beauty. The Vellfire's jet-black plating delivers an aggressive exterior styling while its striking front grille adorned with chrome ornamentation exudes a commanding aura on the road.

THE NEW VELLFIRE.

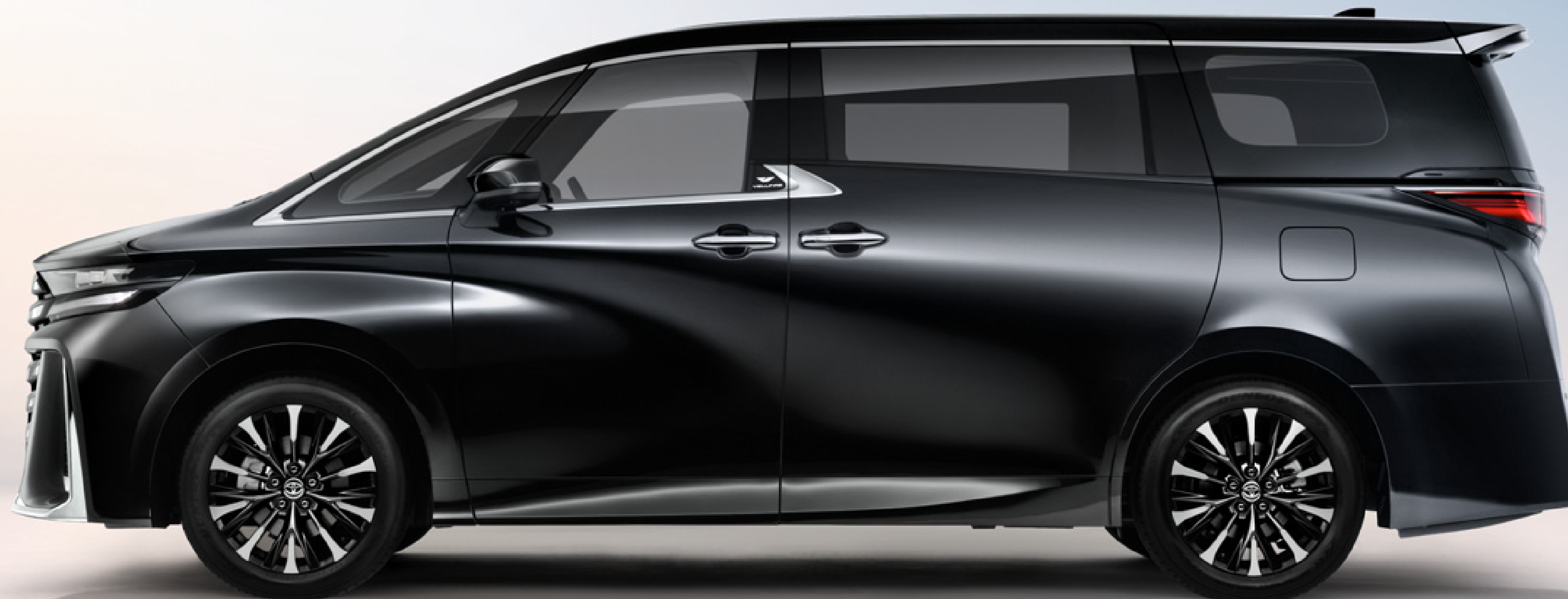
17

EXTERIOR

EXPRESSIVELY BOLD.

EXTRAORDINARILY REFINED.

The Vellfire's distinctive 19" alloy wheels add an exclusive touch to its visual appeal, complete with full LED headlamps with sequential signal lamps, cornering lamps, daytime running lights (DRL), and rear lamps with a powered back door switch.



Actual vehicle may vary from image shown.

INTERIOR FORM MEETS FUNCTION .

Seamlessly integrated into the Vellfire's interior, the 14" display audio with navigation provides an intuitive driving experience. Effortlessly navigate your journeys with the user-friendly interface and front and rear driving video recorder for a peace of mind.

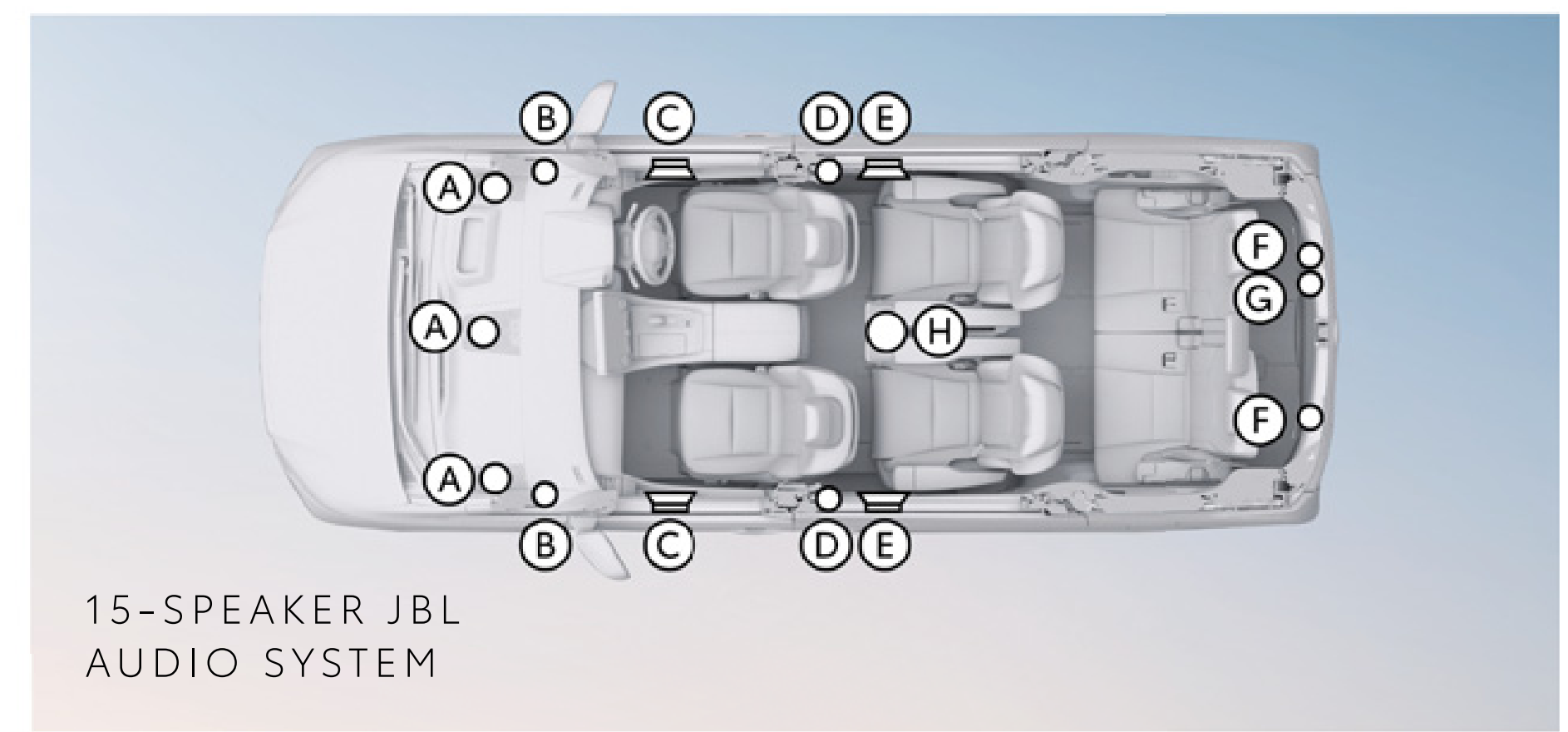
Immerse yourself in the rich experience delivered by the 15-speaker JBL audio system, tuned to envelope you in sounds of pristine clarity that makes every ride an entertaining one.



Actual vehicle may vary from image shown.



FRONT AND REAR
DRIVING VIDEO RECORDER



15-SPEAKER JBL
AUDIO SYSTEM

INTERIOR UNRIVALLED INDULGENCE.

Enjoy the plush comfort of the seats with seam skins and impeccable stitching, complete with sophisticated accents that compliment the entire cabin.

Features such as as powered window sunshades and side tables on the outer seat compartment are at your immediate convenience, giving the feeling of luxury like no other.

PERFORMANCE ENGINEERED FOR PLEASURE.

With a focus on delivering unparalleled comfort, the Vellfire crafts journeys that are a testament to seamless, pleasurable performance.



2.5L ENGINE
2AR-FE, 2.5L naturally aspirated engine with 182PS & 235Nm of Torque.

Actual vehicle may vary from image shown.



7-SPEED SUPER CVT-I WITH SPORTS SEQUENTIAL SHIFTMATIC
Equipped with a Front Performance Brace that provides efficient power transmission for smooth acceleration, while ensuring superb handling and excellent stability performance.



NEW TNGA PLATFORM
The adoption of Toyota New Global Architecture improving rigidity over previous generation models for more outstanding manoeuvrability and stability.

THE NEW VELLFIRE.

COLOUR
VELLFIRE
COLOUR OPTIONS.



202 BLACK



1L5 PRECIOUS METAL



O89 PLATINUM WHITE PEARL MC

Actual vehicle may vary from image shown.

SPECIFICATIONS.

VARIANT		Vellfire 2.5	
ENGINE			
Model		2AR-FE	
Type		In-line 4, 16-valve DOHC, Chain Drive with Dual VVT-i	
Displacement	cc	2,494	
Max. Output	kW (PS) / rpm	134 (182) / 6,000	
Max. Torque	Nm / rpm	235 / 4,100	
Top Speed	km / h	170	
Fuel Economy	Litre / 100km	9.1	
TRANSMISSION			
Type		7-speed Super CVT-i with Sports Sequential Shiftmatic	
CHASSIS			
Suspension	Front / Rear	MacPherson Strut with Stabiliser / Double Wishbone with Stablizer	
Brakes	Front / Rear	Ventilated Disc / Ventilated Disc	
Tyres & Rims		225 / 55 R19, Alloy	
Spare Tyre		Temporary Tyre (T165 / 80 D17)	
Steering		Electric Power Steering	
Front Performance Brace		With	
DIMENSIONS & WEIGHT			
Overall	Length	mm	5,005
	Width	mm	1,850
	Height	mm	1,950
	Wheelbase	mm	3,000
Kerb Weight		kg	2,105
Gross Vehicle Weight		kg	2,650
Ground Clearance		mm	161
Fuel Tank Capacity		Litre / 100km	75
Min. Turning Radius		m	5.9

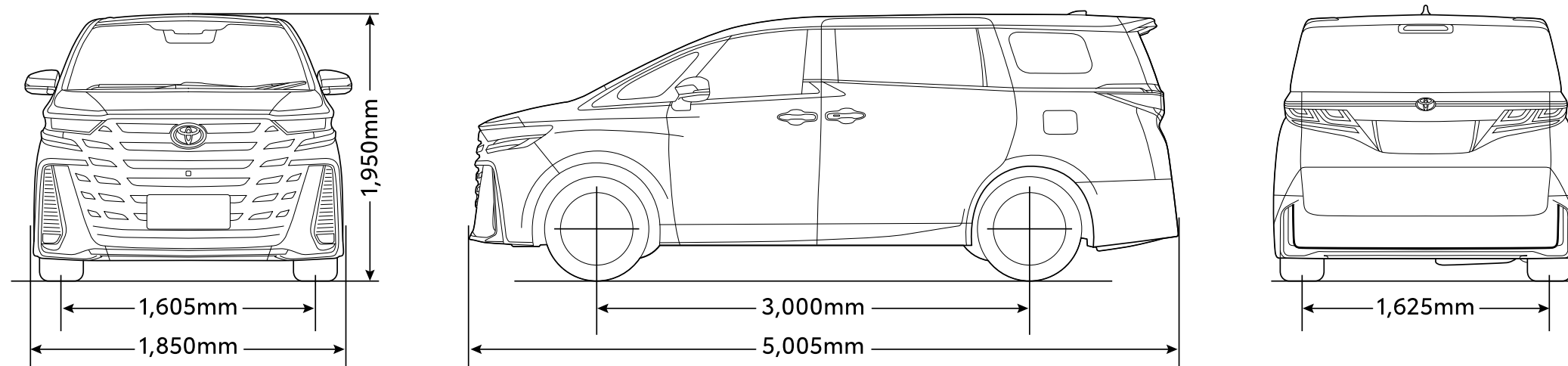
VARIANT		Vellfire 2.5	
EXTERIOR			
Headlamps		Tri-LED Headlamps with Sequential Signal Lamp, Cornering Lamps and Daytime Running Lights	
Sequential Turn Signal Lamps		With Front & Rear	
LED Fog Lamps		With Front & Rear	
Rear Combination Lamp		With LED	
Outside Rear View Mirror		Auto Power Foldable, Memory, Blind Spot Monitoring, Heater and Signal Lamp	
Fixed Panoramic Glass Roof		With	
Front Windshield Wiper		Auto with Rain Sensor	
INTERIOR			
Drive Mode		With ECO Drive Mode	
Steering	Type	Leather & Wood Grain with Heater	
	Tilt and Telescopic Adjustable	Power Adjustable with Position Memory Function	
	Switches	With	
Multi Information Display (MID)		12.3-inch Full Color TFT	
Audio System	Type	14" Display Audio with Navigation, Apple CarPlay® & Android Auto™ Connectivity	
	Speaker	15 JBL Speakers System	
Wireless Charger		With	
Ceiling Illumination		64-Color Roof Illumination	
Smart Entry and Start System		With	
Inside Rear View Mirror		Digital Inner Mirror	
Roof & Window Sunshades		With Power Adjustable	
Panoramic View Monitor (PVM)		With	
Digital Video Recorder (DVR)		With Front & Rear	
Power Sliding Door		With	
Air-conditioning		Front and Rear: Auto with Front Nanoe™ X	

SPECIFICATIONS.

VARIANT	Vellfire 2.5		
INTERIOR			
Seats	Material	Synthetic Leather	
	Front Seats	Driver	8 Way-Powered Seat with Memory Function
		Passenger	4 Way-Powered Seat
		Seat Heater	With
		Seat Ventilation	With
	Rear 1st Row	Seats	Executive Power Seat
		Seat Adjuster	With Power
		Armrest	With
		Seat Table	With Side Table
		Seat Heater	With
		Seat Ventilation	With
	Ottoman	With	
	Rear 2nd Row	50:50 Split with Space Up	
USB Type-C Ports	Front	2	
	Console Box	1	
	Rear 1st Row Seat	2	
	Rear 2nd Row	2	

VARIANT	Vellfire 2.5	
SAFETY		
Toyota Safety Sense	Pre-collision System (PCS)	With
	Lane Departure Alert (LDA)	With
	Dynamic Radar Cruise Control (DRCC)	With Lane Tracing Assist (LTA)
	Road Sign Assist (RSA)	With
	Adaptive High-beam System (AHS)	With
Anti-lock Braking System (ABS), Vehicle Stability Control (VSC), Electric Parking Brake (EPB) with Brake Hold, Hill-start Assist Control (HAC)		With
Electronic Brake-force Distribution (EBD)		With
Blind Spot Monitor (BSM) with Rear Cross Traffic Alert (RCTA)		With
Parking Support Brake (PKSB)		With
Parking Sensors		With 4 Front and 4 Rear
Tyre Pressure Monitoring System (TPMS)		With
SRS Airbags		6
Seatbelts	Front	3-point ELR x 2 with Pretensioner & Force Limiter
	Rear 1st Row	3-point ELR x 2 with Force Limiter
	Rear 2nd Row	3-point ELR x 3
ISOFIX		With
SECURITY		
Security System		Immobiliser & Alarm
Toyota Premium Security & Solar Film		With
Vehicle Telematics System (VTS)		With

*Functions availability may vary depending on smartphones. For details, please contact your nearest Toyota showroom.



Diagrams shown are for illustration purposes only.



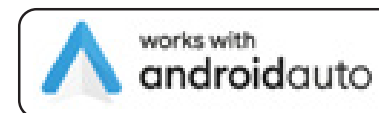
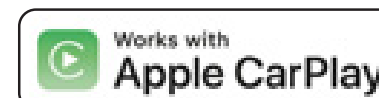
5 years warranty from the date of first registration with unlimited mileage. Terms and Conditions apply.



Energy Efficient Vehicle



For Your Auto-Financing Needs



- UMW Toyota Motor reserves the right to alter any details of specifications and equipment without notice.
- Details of specifications and equipment are also subject to change to suit local conditions and requirements.
- Vehicle and specifications in this catalogue may vary from models available locally. Vehicle body and accessory colours might differ slightly from the printed photos in this catalogue.
- All images are used for illustrative purposes.

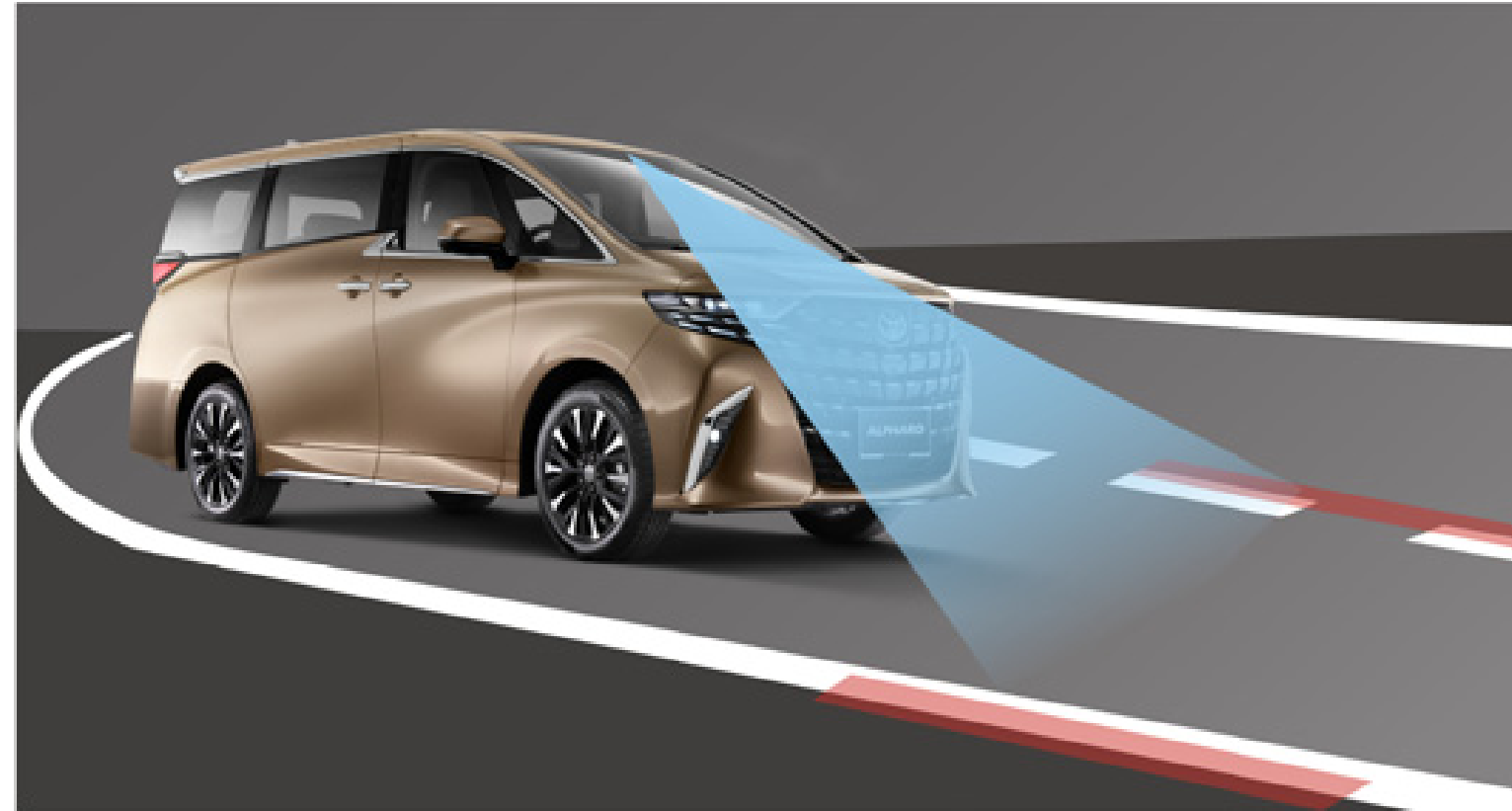


SAFETY
TOYOTA SAFETY SENSE.
TOYOTA ALPHARD & VELLFIRE.

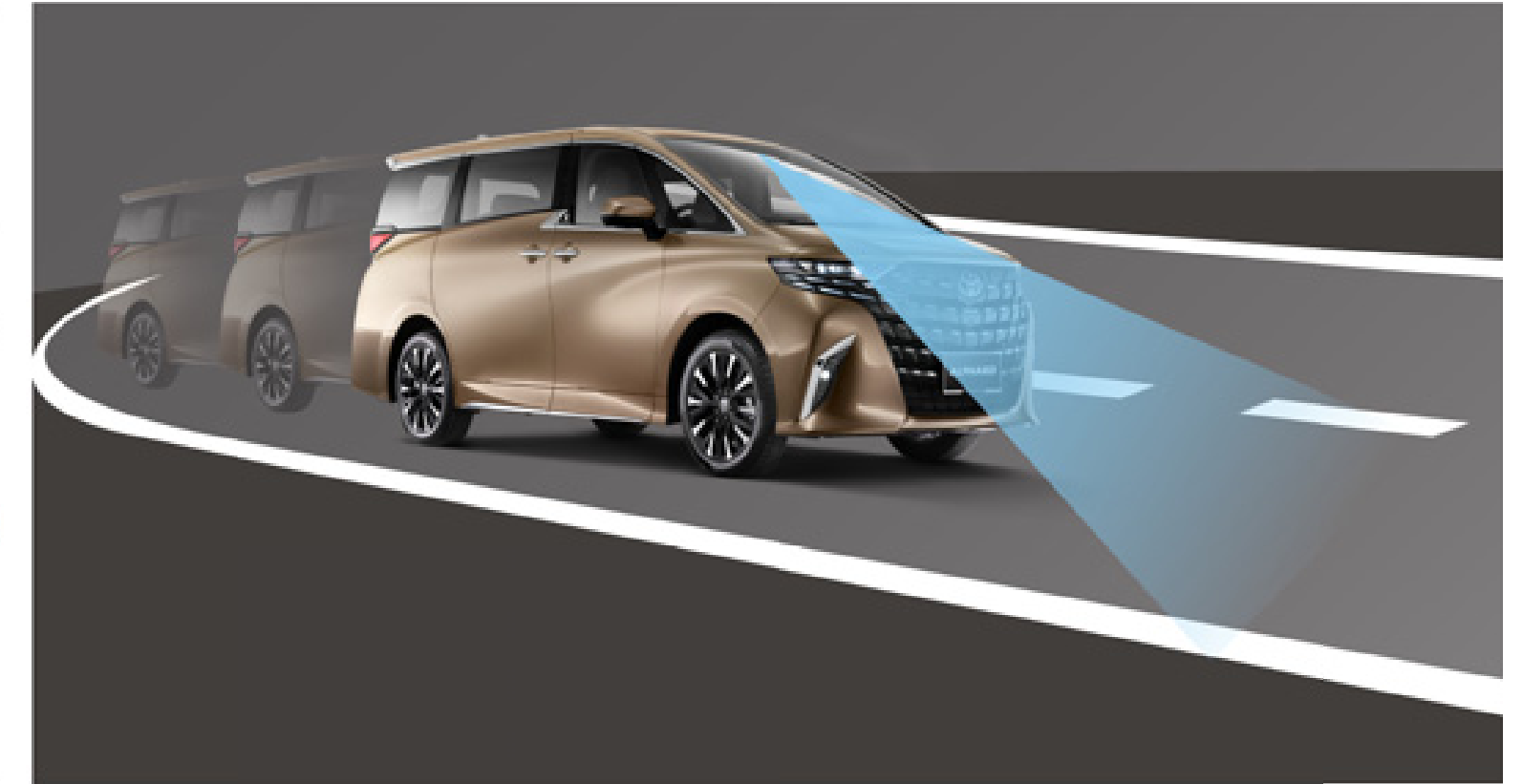
A peace of mind comes standard with luxury. The Alphard and Vellfire are equipped with extensive safety features to ensure that you travel in comfort and confidence.



PRE-COLLISION SYSTEM (PCS)
 Avoids or mitigates frontal collisions by alerting the driver and automatically applying the brakes when there is a risk of collision.



LANE DEPARTURE ALERT (LDA)
 Alerts and assists when you are out of the lane unintentionally. Less swaying, smoother driving.



LANE TRACING ALERT (LTA)
 Keeps the vehicle centred either by detecting the lane or the preceding vehicle.



ROAD SIGN ASSIST (RSA)
 Monitors the road ahead, displaying information such as current speed limit and suggesting necessary adjustments.



**DYNAMIC RADAR CRUISE CONTROL (DRCC)
 FULL SPEED RANGE**
 Maintains a safe distance with preceding vehicle and brakes automatically when the car ahead stops.



ADAPTIVE HIGH BEAM SYSTEM (AHS)
 Automatically adjusts the auto high beam headlight distribution to not illuminate directly on oncoming vehicles.

SAFETY.

PARKING ASSISTS.



BLIND SPOT MONITOR SYSTEM (BSM)

Actual vehicle may vary from image shown.



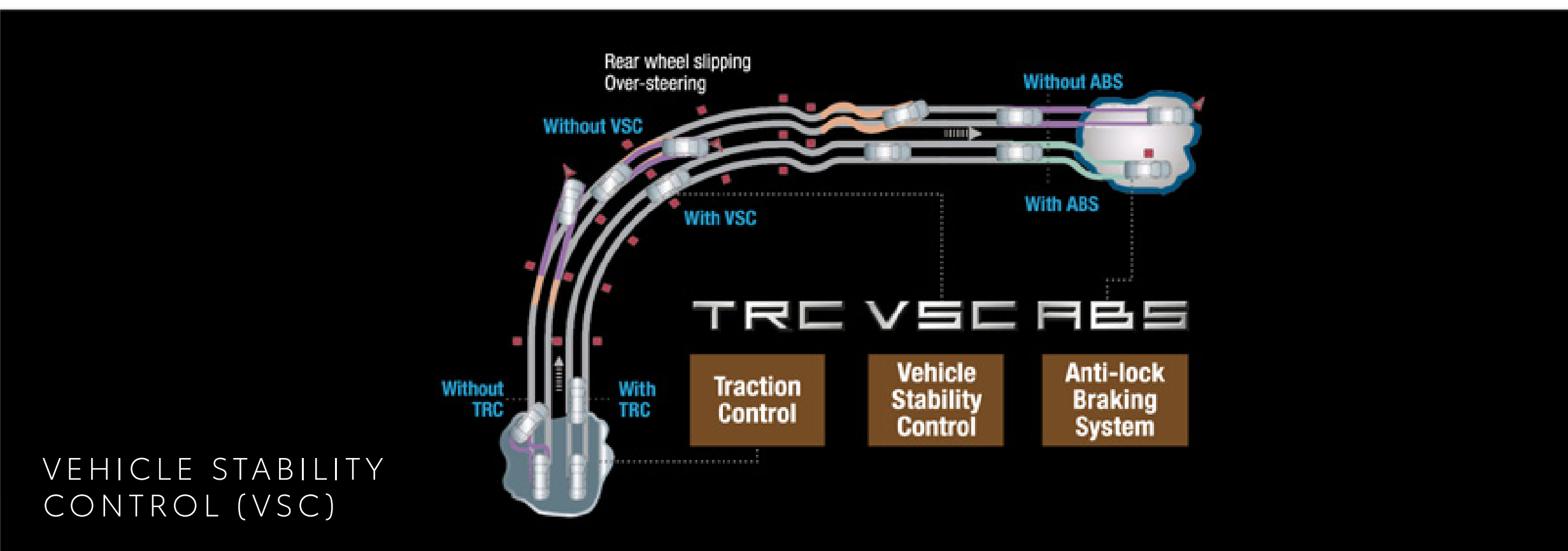
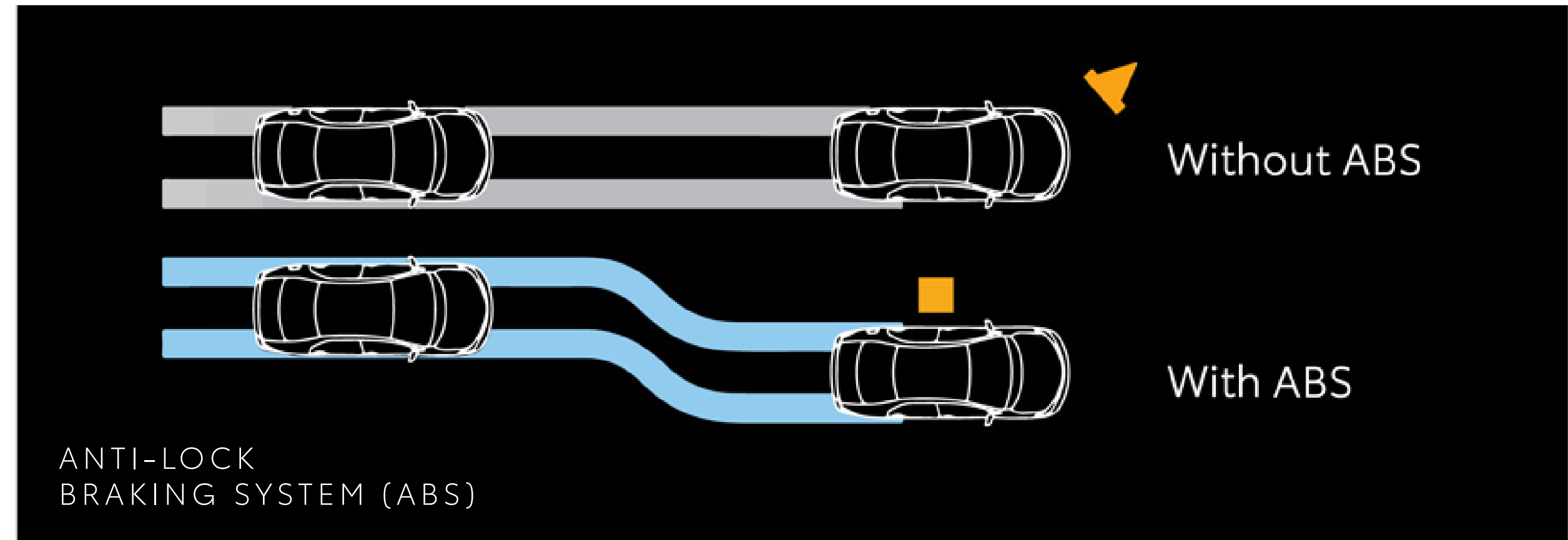
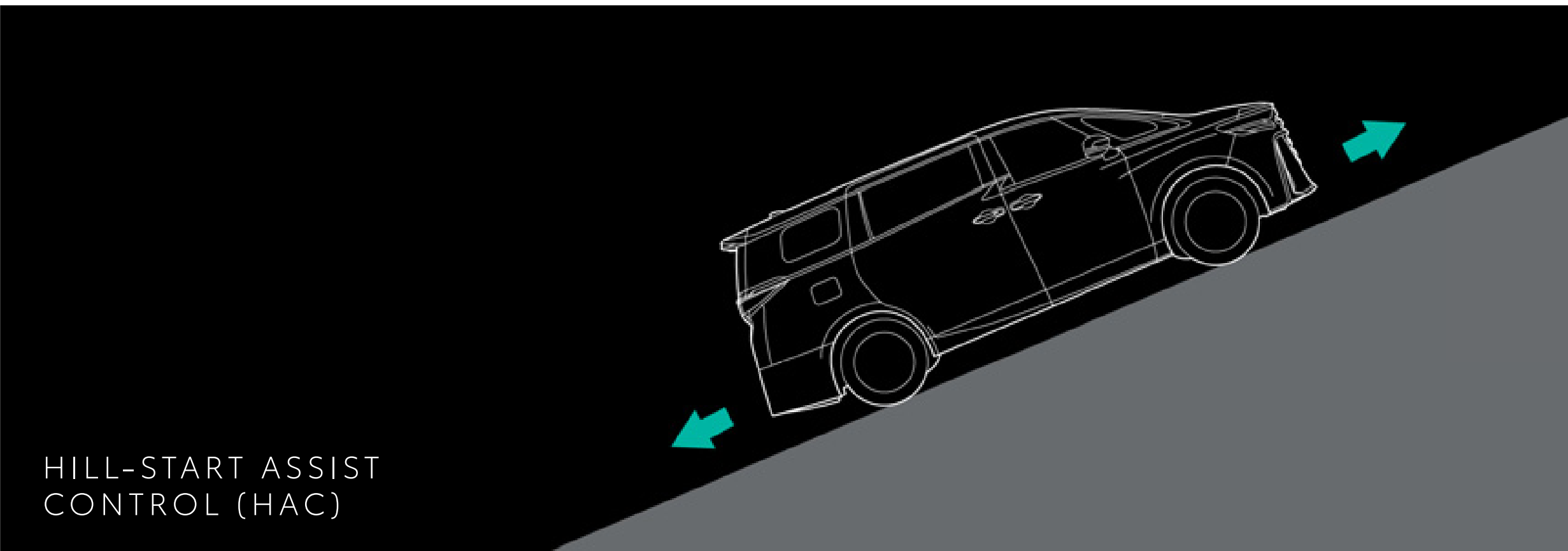
PANORAMIC VIEW MONITOR



6 SRS AIRBAGS

PARKING ASSISTS.

Actual vehicle may vary from image shown.





Move your world